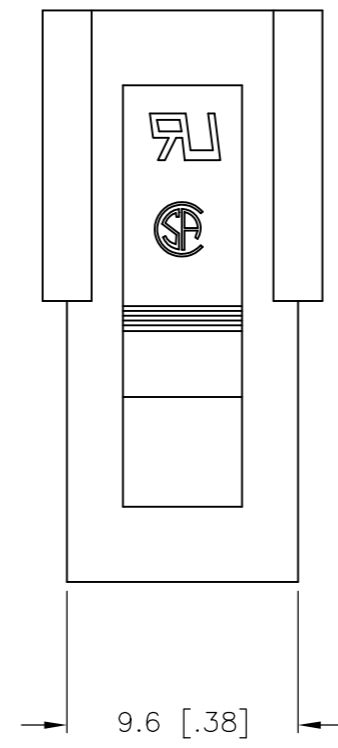
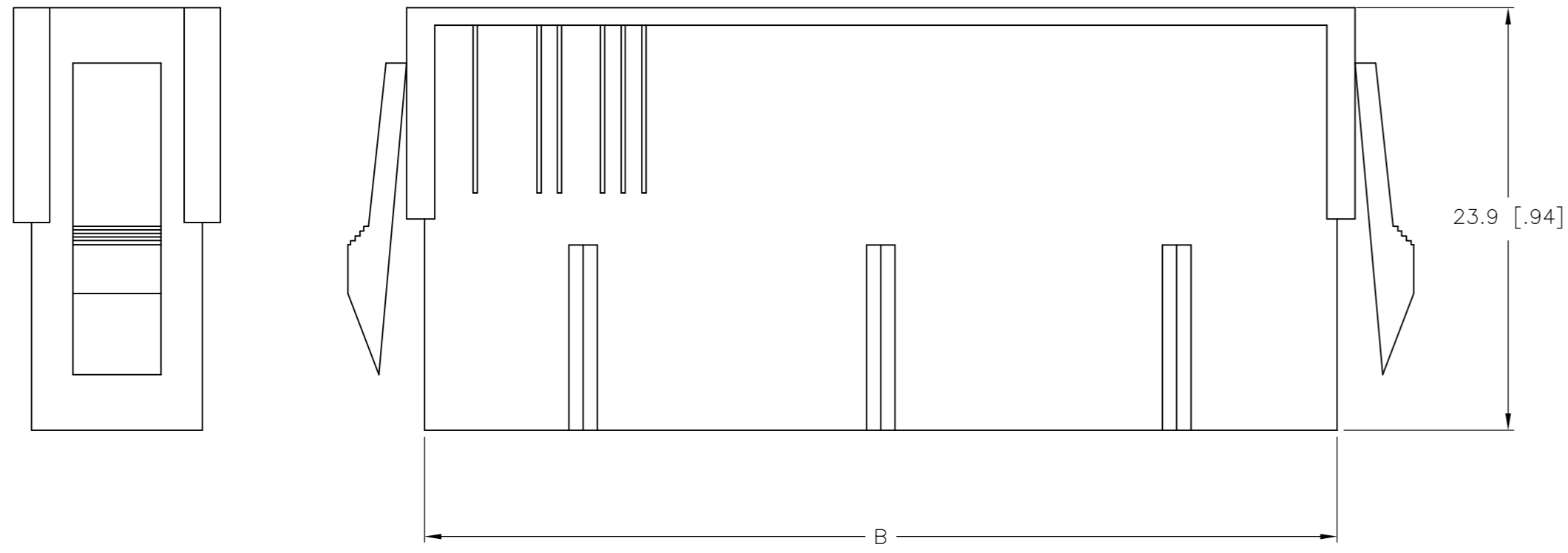
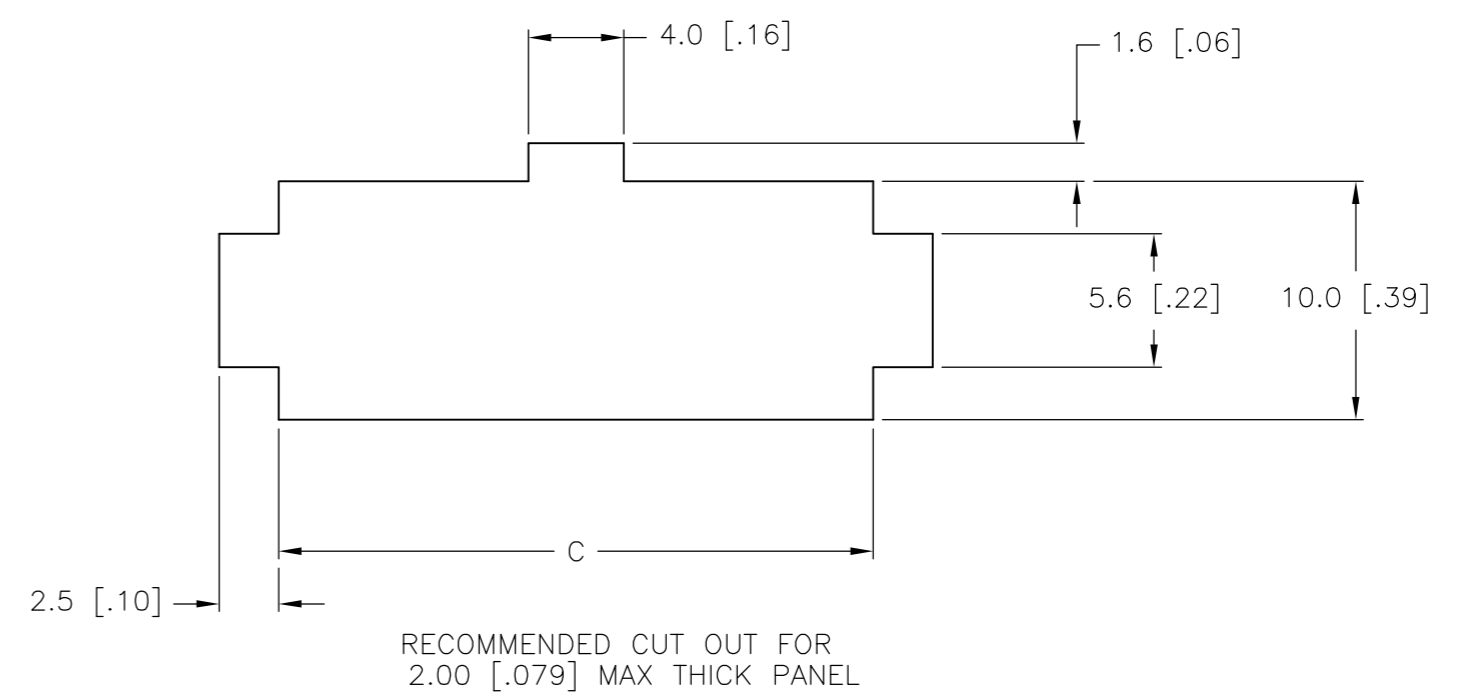
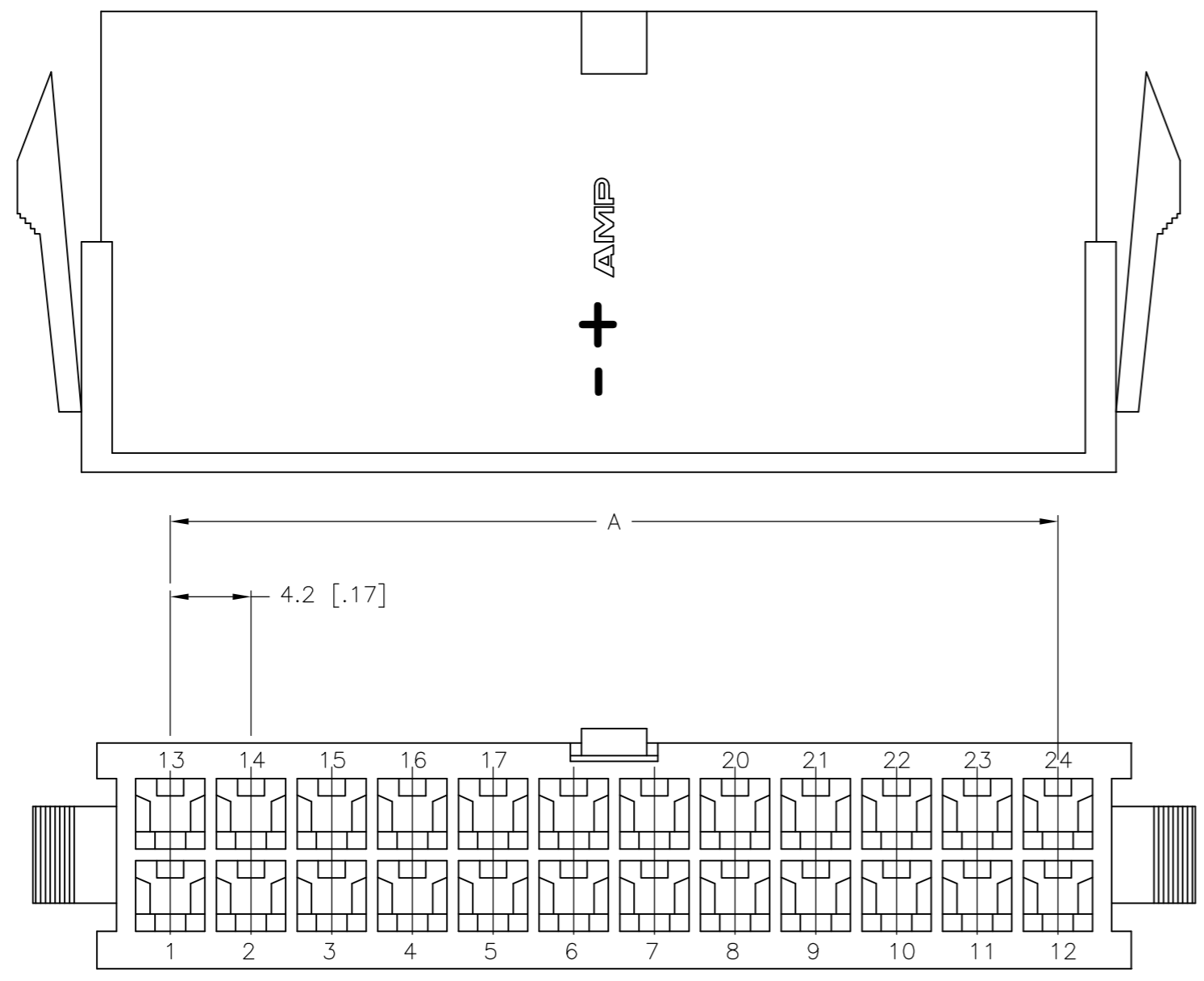
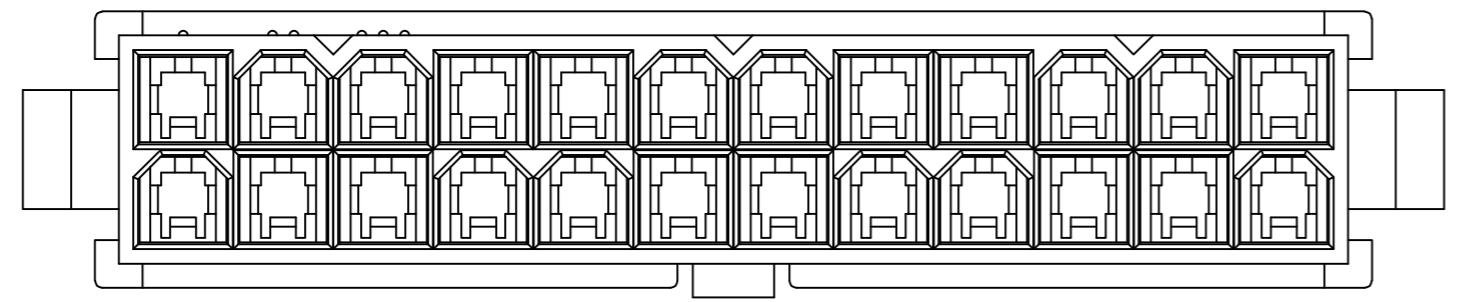


THIS DRAWING IS UNPUBLISHED. RELEASED FOR PUBLICATION
 © COPYRIGHT BY TYCO ELECTRONICS CORPORATION. ALL RIGHTS RESERVED.

| LOC | | DIST | | REVISIONS | | | |
|-----|-----|-------------|---------------------------|-----------|------|----|--|
| P | LTR | DESCRIPTION | DATE | DWN | APVD | | |
| CM | 00 | A | REVISED PER ECO-08-006965 | 24MAR08 | HMR | CC | |



- 1 NYLON, UL94V-V0.
- 2 PANEL MUST BE PUNCHED SO THAT THE HOUSING ENTERS THE PANEL IN THE SAME DIRECTION AS THE PUNCH.



| | | | | |
|-------|-------|-------|-----|-------------|
| 52.0 | 51.6 | 46.2 | 24 | 2-1586018-4 |
| 47.8 | 47.4 | 42.0 | 22 | 2-1586018-2 |
| 43.6 | 43.2 | 37.8 | 20 | 2-1586018-0 |
| 39.4 | 39.0 | 33.6 | 18 | 1-1586018-8 |
| 35.2 | 34.8 | 29.4 | 16 | 1-1586018-6 |
| 31.0 | 30.6 | 25.2 | 14 | 1-1586018-4 |
| 26.8 | 26.4 | 21.0 | 12 | 1-1586018-2 |
| 22.6 | 22.2 | 16.8 | 10 | 1-1586018-0 |
| 18.4 | 18.0 | 12.6 | 8 | 1586018-8 |
| 14.2 | 13.8 | 8.4 | 6 | 1586018-6 |
| 10.0 | 9.6 | 4.2 | 4 | 1586018-4 |
| 5.8 | 5.4 | -- | 2 | 1586018-2 |
| DIM C | DIM B | DIM A | POS | PART NUMBER |

THIS DRAWING IS A CONTROLLED DOCUMENT.

| | | | | |
|----------------|---|--|---|-----------------|
| DIMENSIONS: mm | TOLERANCES UNLESS OTHERWISE SPECIFIED: 0 PLC ± - 1 PLC ± 0.4 [.02] 2 PLC ± 0.25 [.010] 3 PLC ± 0.150 [.0059] 4 PLC ± - ANGLES ± - | DWN S. HAMM 31-JUL-2002 CHK D. COLEY 31-JUL-2002 APVD D. COLEY 31-JUL-2002 PRODUCT SPEC APPLICATION SPEC | Tyco Electronics Corporation Harrisburg, PA 17105-3608 | |
| MATERIAL 1 | FINISH | WEIGHT | SIZE A2 | CAGE CODE 00779 |
| | | CUSTOMER DRAWING | DRAWING NO. C=1586018 | RESTRICTED TO - |
| | | | SCALE | SHEET 1 OF 1 |
| | | | REV A | |